

Discover Lithium Battery Fuel Gauge and SOC Indicator TYPE-A Battery Discharge Indicator (CAN Bus) - 950-0006

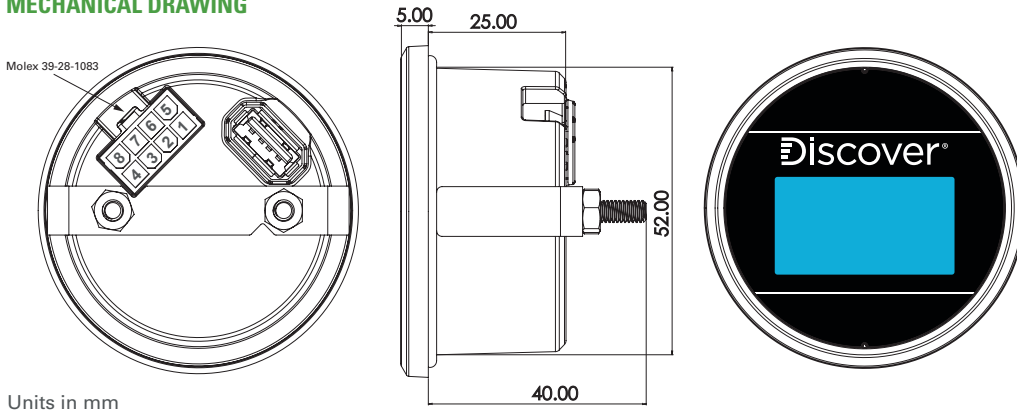
The Type A Battery Discharge Indicator (BDI) communicates with Discover Lithium batteries over CAN Bus and displays State-of-Charge, Watts, Charge and Discharge Energy (at Start Up), Time-to-Go and Battery Firmware Version on an LCD screen. The TYPE-A BDI will provide aggregate SoC for up to 20 Discover Lithium Batteries. Standard 52 mm circular housing rated IP 30, with an installed frontal rating of IP 65.

The TYPE-A BDI is also available in a kit with a 1.8M LYNK Network Cable (950-0044) for use with LITHIUM PROFESSIONAL batteries.

FEATURES

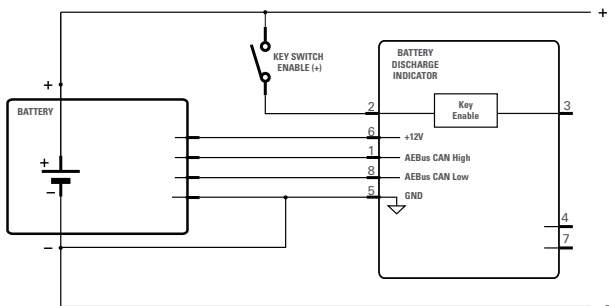
- LCD Display
- 10 bar State-of-Charge Battery Fuel Gauge
- Time-to-Go Readout
- Watt Readout
- Discharge Charge Indicator
- Battery Firmware (at start up)
- Charge and Discharge Energy Readout (at start up)
- Illuminated Display (knock 3 times to turn on, knock 2 times to turn off)
- U-bolt and M4 Nut Fastener
- USB Host for BDI Firmware Update
- Key Switch Enable

MECHANICAL DRAWING



Units in mm

ELECTRICAL DRAWING



PIN ASSIGNMENTS

PIN	Function
1	LYNK Bus (AEBus) CAN High
2	Key Switch Enable (+)
5	Battery / LYNK Bus (AEBus) CAN GND
6	LYNK Bus (AEBus) +12V
8	LYNK Bus (AEBus) CAN Low

COMPATIBLE BATTERIES

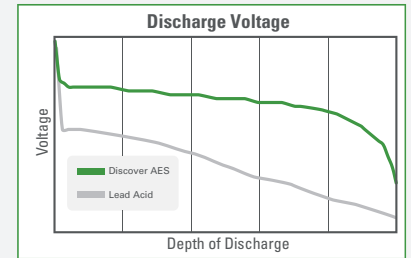
AES LiFePO₄ Batteries

12-48-6650	14-36-3000
12-36-6700	14-48-3000
14-24-2800	

LITHIUM PROFESSIONAL Batteries

DLP-GC2-12V	DLP-GC2-36V
DLP-GC2-24V	DLP-GC2-48V

DISCOVER LITHIUM VS. LEAD-ACID BATTERY DISCHARGE CURVE



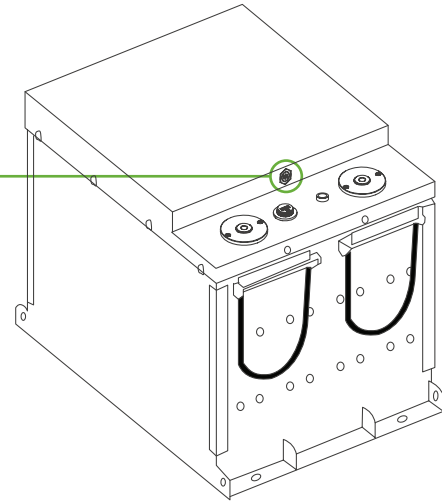
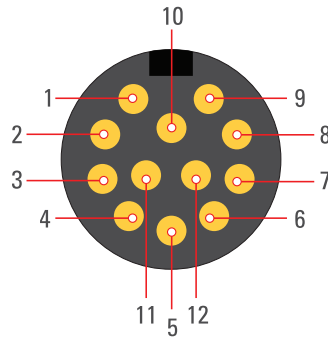
Discover Lithium batteries have a flat and stable discharge curve, which can not be monitored accurately by a voltage-based SOC indicator. For accurate fuel gauge and SoC, a Discover Battery Discharge Indicator is necessary.

BATTERY PINOUT DIAGRAMS

PINOUT DIAGRAM FOR CONNECTION TO AES LiFePO₄ BATTERIES

IEC M12 A-Coding 12 Pin

PIN	Function
3	LYNK Bus (AEBus) CAN GND
4	LYNK Bus (AEBus) CAN High
5	LYNK Bus (AEBus) CAN Low
12	LYNK Bus (AEBus) CAN +12V *



* Not all models are equipped with an internal 12V power supply.
Discover 950-0019 12V Power Over LYNK Bus (AEBus) accessory is available separately.

PINOUT DIAGRAM FOR CONNECTION TO LITHIUM PROFESSIONAL BATTERIES

IEC M12 A-Coding 5 Pin

PIN	Function
1	ON/OFF Switch
2	LYNK Bus CAN L
3	LYNK Bus CAN H
4	LYNK Bus 12V +
5	LYNK Bus GND

